



# Captair

## Smart

Ductless filtering chemical storage cabinets



Erlab's unique Flex Filtration can manage most lab storages

**SMART TECHNOLOGY**  
 Simple, intuitive communication by light shows the status of the unit

Sensors to detect filter saturation

Low power consumption. Operates with a standard plug using only 45W

Sensors alert the user if the door is left open

Smart lock with RFID card

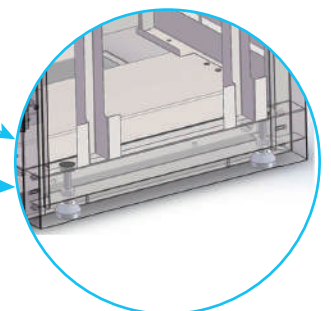
Clear doors for easy viewing



Download the eGuard App for remote control and monitoring



4 Adjustable feet inside



Life in the laboratory becomes simpler and safer

Erlab's 50 years of expertise in research, design and manufacturing of filtering fume hoods and chemical storage cabinets guarantee superior filtration that will keep you protected during your chemical processes.

**Smart Technology:** The new Captair Smart filtering chemical storage cabinets are designed with a simple and innovative way of communication. Smart Technology uses simple light to show that the unit is operating safely so you can focus your attention on what is most important: your work.



**50 years of Erlab's expertise in chemicals filtration**



**Easy safety communication through light and beeps**



**Remote access to hood status and alerts**



**Full compliance with the international safety standards**



**High level of after-sale service**

## Simpler to use

- Smart Technology enables visual light communication to indicate the status of the hood. When the light is still the chemical storage cabinets safely. To alert you, the light will pulse. A simple light pattern will indicate if :
  - Fan Failure
  - Filter breakthrough
  - Doors are left open
- The **eGuard App** gives you remote control to monitor the chemical storage cabinets, change the settings, and delivers safety alerts immediately to your mobile, tablet or PC device.

## Safer to operate

- The configurable filtering system above the enclosure can be adapted to filter gases, solvents, powders and particulates keeping the user and the lab protected by safely and efficiently recirculating air within the room and releasing purified air back into the room free of any toxic hazardous vapors or odors.
- Meets AFNOR NFX 15 211/SEFA 9 filtration efficiency standard (classes 1 and 2).
- New sensors are added for detection of solvents or acids or formaldehyde.
- New sensors are added if doors are left open.
- ESP Program: Usage certification delivered with each unit after approval of your storages by our in-house lab.

## Organize your chemical storage

- Smaller sizes are available for use on or under counters or equipment.
- Floor-standing models can be configured with adjustable spill-proof shelves, pull-out vertical shelves, and large volume drawers.

## A range of floor standing and under bench cabinet

822 Smart



With pull-out shelves



With spill-proof shelves

834 Smart



With spill-proof shelves

1634 Smart



With spill-proof shelves

RANGE OF CAPTAIR SMART (Filtering storage cabinets)	822	834	1634
Storage capacity (500ml/bottles)	up to 50 bottles	up to 160 bottles	up to 320 bottles
External dimensions (mm) (LxDxH)	654x554x758	900x530x2138/2323	1802x530x2172/2358



# Safety solutions for a variety of applications !



**GreenFumehoods**  
an alternative to  
ducted fume hoods



**Smart Fume Hoods**  
for your routine  
handlings



**Captair Smart**  
Weighing Stations



**Captair Smart**  
Storage cabinets



**Chemtrap Midcap**  
Filtration System



**Captair Flow**  
Clean Air Enclosures



**Captair Bio**  
PCR Workstations



**Captair Pyramid**  
Portable Glovebox



**Halo**  
Laboratory Air  
Filtration system



**Halo Sense**  
Lab Air Quality Sensor

## Europe

**erlab D.F.S S.A.S (France)**  
Parc d'Affaires des Portes  
BP 403  
27104 Val de Reuil Cedex - France  
Tel. : +33(0)2 32 09 55 80  
Fax. : +33(0)2 32 09 55 90  
E-Mail : [Ventes@erlab.net](mailto:Ventes@erlab.net)

## North America

**erlab, Inc. (USA)**  
388 Newburyport Turnpike  
Rowley, MA 01969 - USA  
Tel. : +1(978) 948-2216  
Fax. : +1(978) 948-3354  
E-Mail : [CaptairSales@erlab.com](mailto:CaptairSales@erlab.com)

## Asia, Middle East, Africa, South America

**Kunshan erlab D.F.S Co.,Ltd**

Tel. : +86 (0)512 5781 4085

Fax. : +86 (0)512 5781 4082

E-Mail : [export.asia@erlab.com.cn](mailto:export.asia@erlab.com.cn)

Your  **erlab** distributor  
You can breathe.